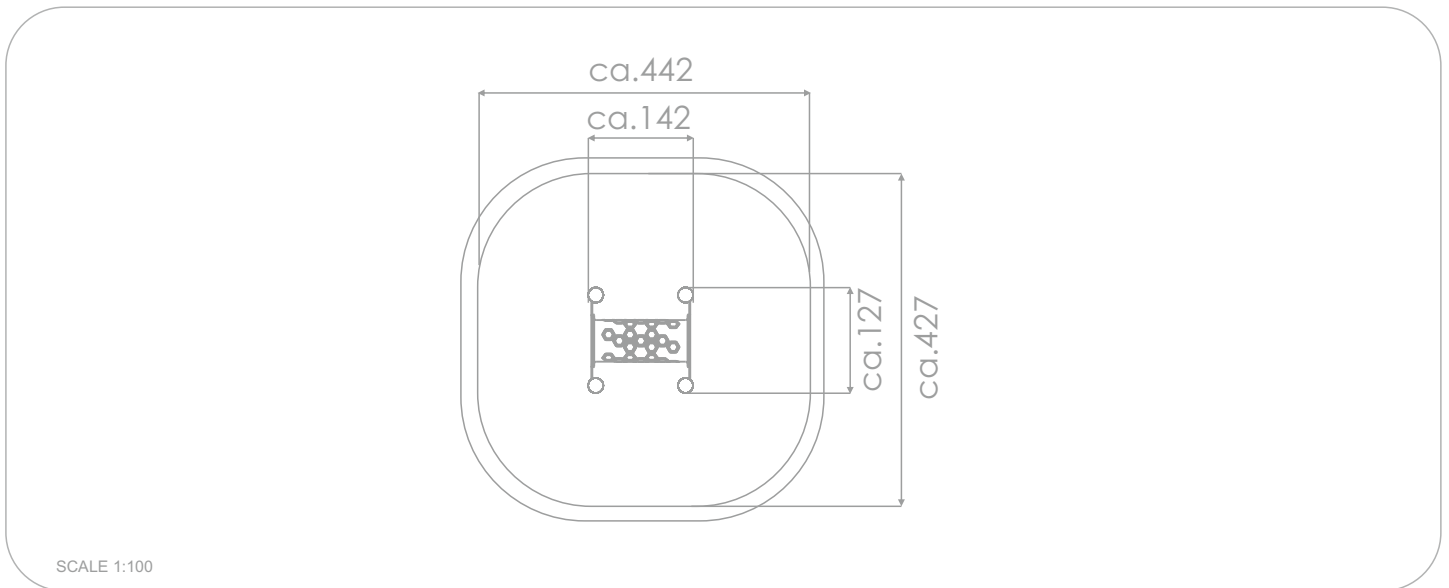


INFORMATION ABOUT THE PRODUCT



Dimensions	ca. 142 x 127 cm
Safety zone	ca. 442 x 427 cm
Overall height	ca. 120 cm
Free fall height	ca. 96 cm
Amount of users	2 persons
Product complies with EN 1176-1:2017-12	YES
Availability of spare parts	YES
Age range	3-12
The biggest element:	190 cm
The heaviest element:	63 kg
<small>According to EN 1176-1:2017-12 norm, the product requires applying a safety surface according to the product's free fall height.</small>	

Visualisation is for reference only,
actual appearance may vary.





MATERIALS:

<p>NATURAL ROBINIA WOOD</p>	<p>TUBE MADE OF LDPE POLYETHYLENE ROTATIONALLY MOLDED WITH THE INNER DIAMETER OF 53.3 CM AND THE LENGTH OF 125 CM</p>
	
<p>ELEMENTS CONSTRUCTION MADE OF STAINLESS STEEL AISI 304</p>	<p>ANTI-SLIP HEXA 18 MM PLATFORM PLATE</p>
